

Nova_Power&Protection_Rev_C_1



Datei: Nova_Power&Protection_Rev_C_1.kicad_sch

Nova_Power&Protection_Rev_C_2



Datei: Nova_Power&Protection_Rev_C_2.kicad_sch

Nova_Power&Protection_Rev_C_3



Datei: Nova_Power&Protection_Rev_C_3.kicad_sch

Original by StUe 04-2017
modified by CNe
imported from EAGLE Layout CAD

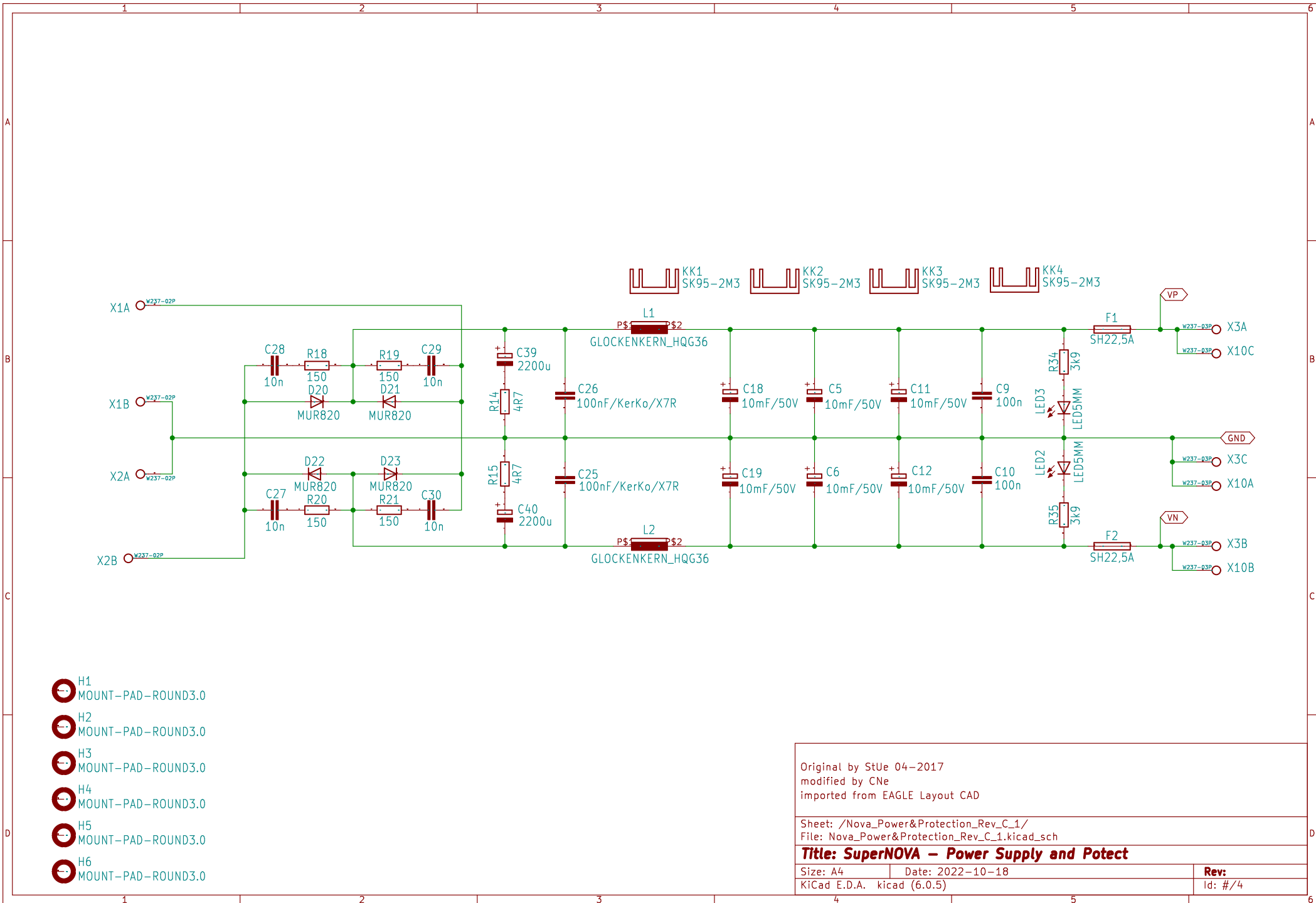
Sheet: /
File: Nova_Power&Protection_Rev_C.kicad_sch







Title: SuperNOVA – Power Supply and Potect

Size: A4 Date: 2022-10-18

KiCad E.D.A. kicad (6.0.5)

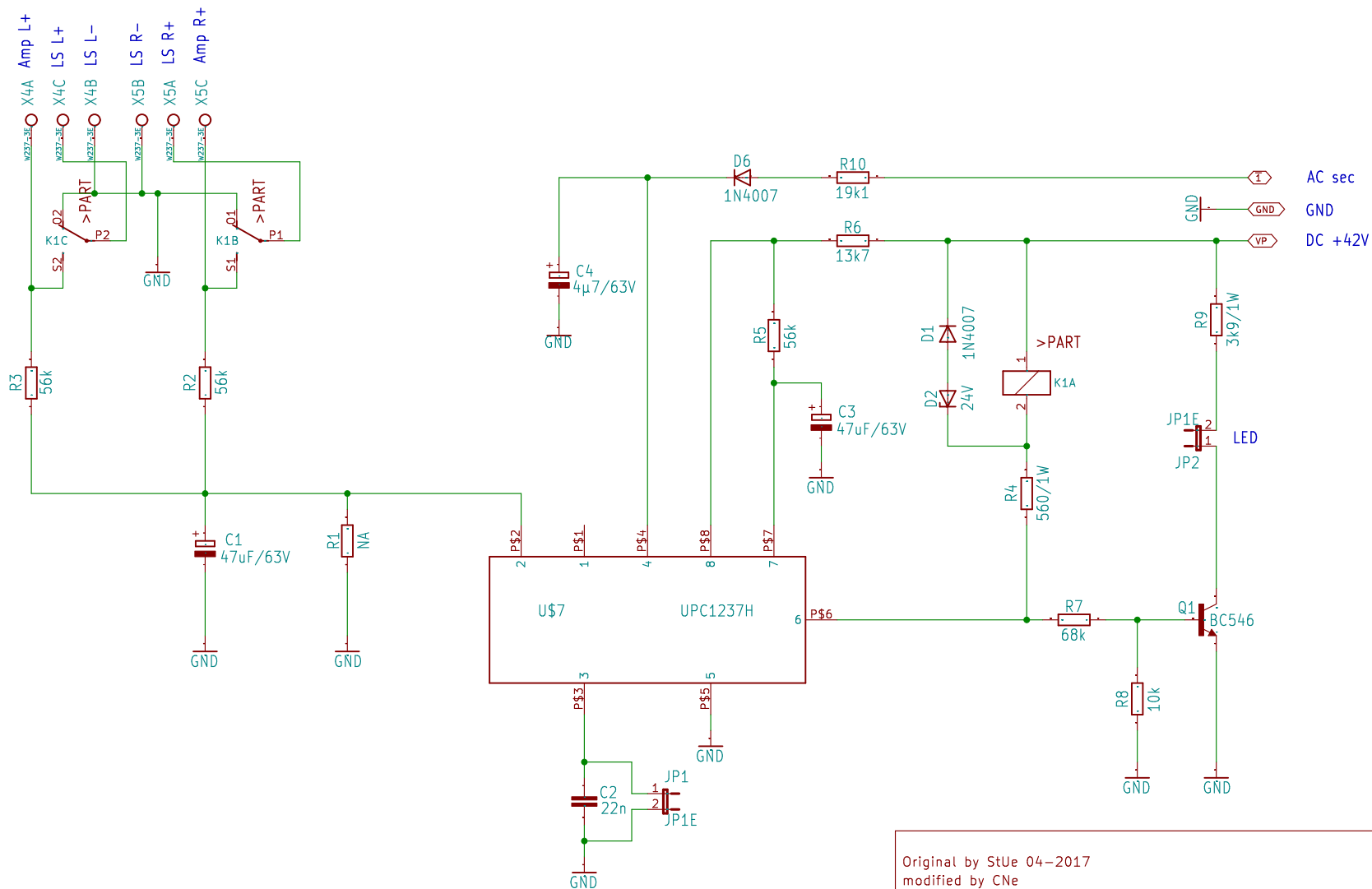
Rev:
Id: #/4



-  H1
MOUNT-PAD-ROUND3.0
-  H2
MOUNT-PAD-ROUND3.0
-  H3
MOUNT-PAD-ROUND3.0
-  H4
MOUNT-PAD-ROUND3.0
-  H5
MOUNT-PAD-ROUND3.0
-  H6
MOUNT-PAD-ROUND3.0

Original by StUe 04-2017 modified by CNe imported from EAGLE Layout CAD		
Sheet: /Nova_Power&Protection_Rev_C_1/ File: Nova_Power&Protection_Rev_C_1.kicad_sch		
Title: SuperNOVA – Power Supply and Potect		
Size: A4	Date: 2022-10-18	Rev:
KiCad E.D.A. kicad (6.0.5)		Id: #/4

Protection Unit for Stereo Power Amplifier



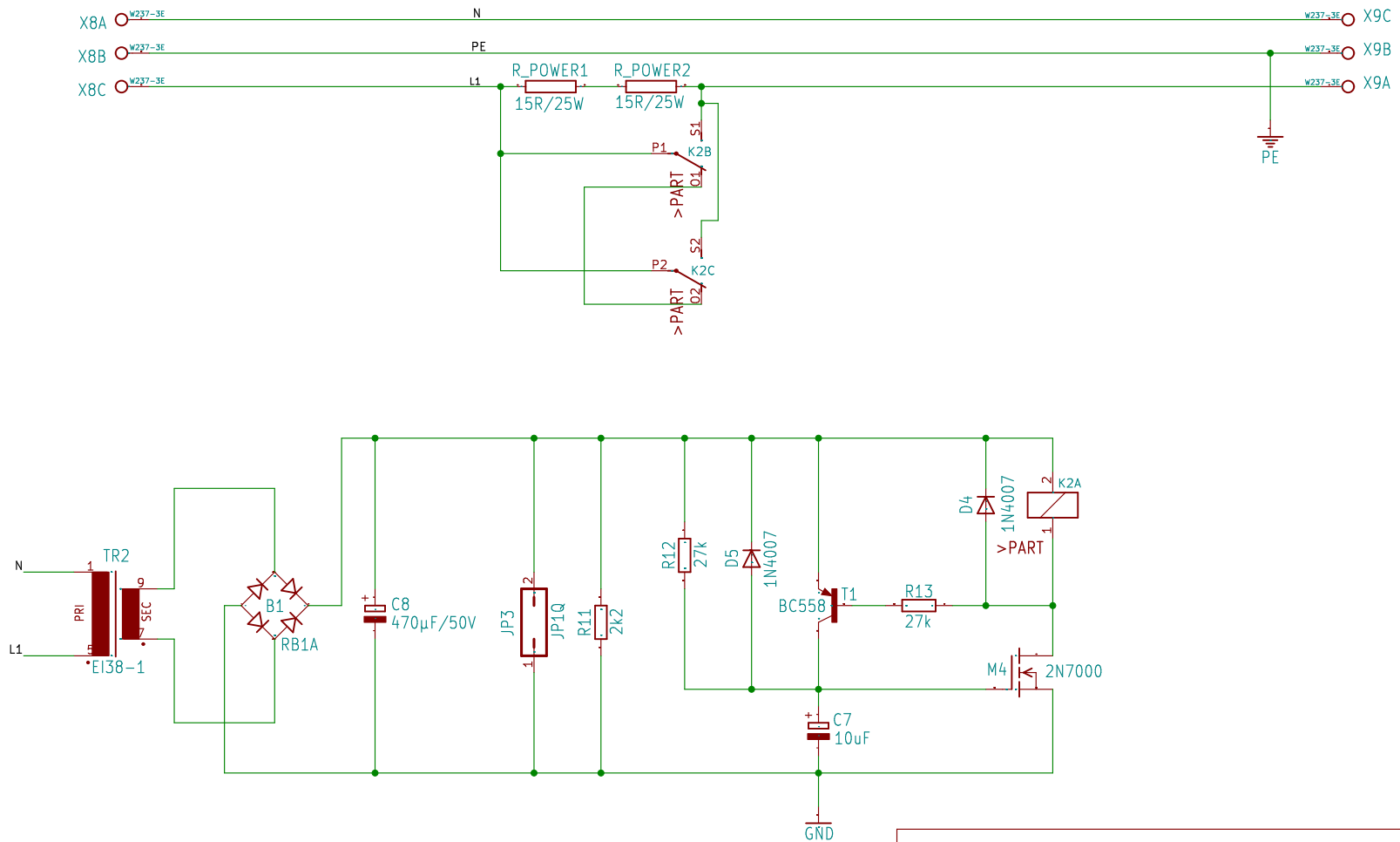
Jumper open: latch
 Jumper closed: automatic reset

Original by StUe 04-2017
 modified by CNE
 imported from EAGLE Layout CAD

Sheet: /Nova_Power&Protection_Rev_C_2/
 File: Nova_Power&Protection_Rev_C_2.kicad_sch

Title: SuperNOVA – Power Supply and Potect

Size: A4	Date: 2022-10-18	Rev:
KiCad E.D.A. kicad (6.0.5)		Id: #/4



Original by StUe 04-2017
 modified by CNe
 imported from EAGLE Layout CAD

Sheet: /Nova_Power&Protection_Rev_C_3/
 File: Nova_Power&Protection_Rev_C_3.kicad_sch

Title: SuperNOVA – Power Supply and Potect

Size: A4 Date: 2022-10-18
 KiCad E.D.A. kicad (6.0.5)

Rev:
 Id: #/4